



Sandwich and Panini Grills Models A710, A710S, A710P



Application

Toastmaster A710 Series Sandwich and Panini grills are designed to uniformly grill both sides of a sandwich at the same time. To add to the grills' versatility, the bottom grill can be heated alone.

General Information

Light-duty electric grill with simultaneous top and bottom grilling eliminates flipping sandwiches. Overall dimensions are 15-1/2"W x 18-7/8"D x 11-3/4"H. Neoprene feet are provided.

- Models A710 and A710S feature smooth upper and lower grill plates.
- Model A710P features grooved upper and lower plates.

Construction

Construction is of formed and welded sheet steel. Grill plates are of cast aluminum. An 8 oz. capacity grease receptacle at the rear is easily removable for emptying and cleaning. Model A710 features grill plates with a

natural aluminum finish. Models A710S and A710P feature grill plates with a **DuPont SilverStone Supra®** nonstick fluoropolymer coating.

Electrical

Total rated input is 1.65 kW (0.65 kW top element, 1.0 kW bottom element). Available in 120V, 208V or 240V. All units are single-phase and are equipped with a 3' (914mm) cord and NEMA plug. Refer to the electrical specifications table on the reverse side of this sheet.

Heating

A preformed tubular heating element is clamped beneath the grill on each of the top and bottom grill plates.

Controls

Controlled by an adjustable thermostat with range of 150°F to 450°F with an "OFF" position. A three position switch is provided to turn the unit off, operate the bottom grill only, or operate both top and bottom grills. The top grill can be adjusted from

paper-thin to thick sandwich heights and locked into place to provide consistent result.

Capacity

Grills up to 4 sandwiches at one time..

Warranty

One year parts-and-labor Toastmaster On-Site Warranty.

Approximate Weights

31 lbs. (14.1 kg) installed, 39 lbs. (17.7 kg) shipping.

Ordering Information

- A710 - 120V, 1 phase, 50/60Hz
- A710 - 208V, 1 phase, 50/60Hz
- A710 - 240V, 1 phase, 50/60Hz
- A710S - 120V, 1 phase, 50/60Hz
- A710S - 208V, 1 phase, 50/60Hz
- A710S - 240V, 1 phase, 50/60Hz
- A710P - 120V, 1 phase, 50/60Hz
- A710P - 208V, 1 phase, 50/60Hz
- A710P - 240V, 1 phase, 50/60Hz

Coating

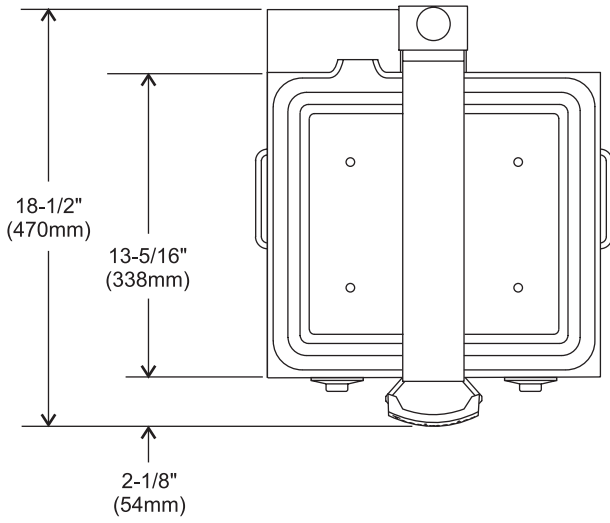
Model A710 features grill plates with a natural aluminum finish. Models A710S and A710P feature grill plates with a **DuPont SilverStone Supra®** nonstick fluoropolymer coating. **SilverStone Supra®** is the most durable nonstick system of the **DuPont SilverStone®** family of nonstick coatings. The coating was designed for small electric appliances and top-of-range cookware, and works well for a variety of commercial food processing applications where resistance to heat and abrasion are important. Its three-coat application system complies with FDA regulations governing direct food contact.

SilverStone Supra® is a registered trade mark of DuPont. All rights reserved.

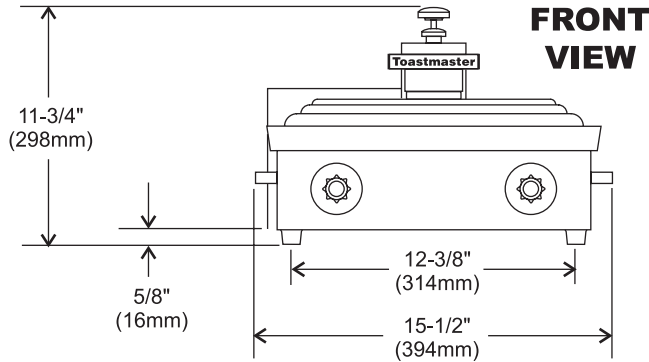


Sandwich and Panini Grills

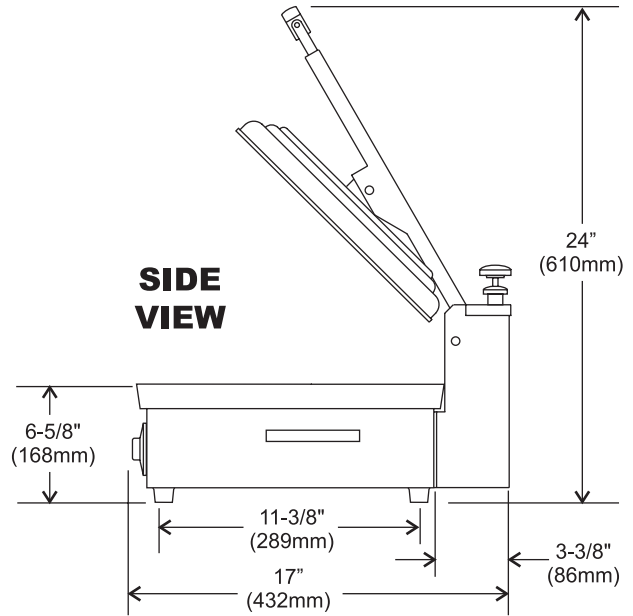
Models A710, A710S, A710P



TOP VIEW



FRONT VIEW



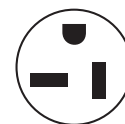
SIDE VIEW

GENERAL INFORMATION

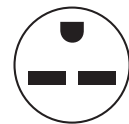
Width	Height	Depth	Net Weight	Ship Weight	Top Plate Dimensions		Bottom Plate Dimensions	
					A710,A710S	A710P	A710,A710S	A710P
15-1/2" (394)	11-3/4" (298)	18-1/2" (470)	18 lbs 8.2 kg	21 lbs 9.5 kg	12"Dx13"W 305 x 330mm	12"Dx12-1/2"W 305 x 318mm	12-1/2"Dx13-1/2"W 318 x 343mm	11-1/2"Dx12-1/2"W 292 x 318mm

ELECTRICAL INFORMATION

Voltage	Phase	Hz	kW	Amps	Plug Type
120	1	50/60	1.65	13.8	NEMA 5-20P
208	1	50/60	1.65	7.9	NEMA 6-15P
240	1	50/60	1.65	6.9	NEMA 6-15P



NEMA 5-20P



NEMA 6-15P

INTENDED FOR COMMERCIAL USE ONLY. NOT FOR HOUSEHOLD USE.

Toastmaster, in line with its policy to continually improve its product, reserves the right to change materials or specifications without notice. Such revisions do not entitle the buyer to corresponding changes, improvements, additions, or replacements for previously purchased equipment.

